

Conductive Elastomer Mounting Flange EMI Gaskets

MOUNTING FLANGE EMI GASKETS

PNA Technologies die-cut CHO-SEAL gaskets provide EMI shielding and environmental sealing when inserted between a connector flange and a mounting bulkhead. The gaskets described in this section are designed for use with MIL-C-83723, MIL-C-5015, MIL-C-26482, MIL-C-38999 and MIL-C-81511 connectors. They are interchangeable with non-conductive gaskets.

In addition to standard sizes and configurations listed in Table 1, connector gaskets and ground planes can be custom designed.



Contact Information:

PNA Technologies LLC
144-11 158th Street
Jamaica, NY 11434

(718) 412-0600
sales@pna-technologies.com

www.pna-technologies.com

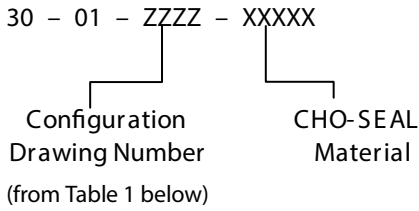
ORDERING PROCEDURE

Standard Sizes: Using Table 1, construct the appropriate part number as illustrated below. For Custom Gaskets: Drawings must be supplied.

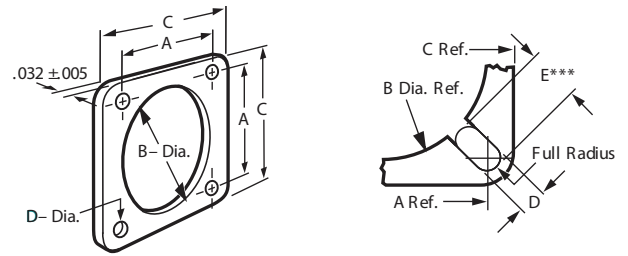
Mounting Flange Gasket - Product Information

ORDERING PROCEDURE

Standard Sizes: Using Table 1, construct the appropriate part number as illustrated below. For Custom Gaskets: Drawings must be supplied.



MIL-C-38999 Series III and MIL-C-28840



Note: The radius of each corner is equal to $\frac{C-A}{2}$

Table 1: Mounting Flange EMI Gaskets

Shell Size	Letter	Configuration Drawing No. ZZZZ						Dimensions inches (mm)						
		MIL-C-38999 Series				MIL-C-81511 Series	MIL-C-28840 Series	MIL-C-5015 C-83723 NAS-1599 MIL-C-26482	MIL P/N: M83528/004X(-)	A	B	C	D	E***
		I	II	III	IV				±0.010 (0.25)	+0.020 (0.51) -0.000	±0.015 (0.38)	±0.010 (0.25)	±0.010 (0.25)	
6								1946*	001	0.469 (11.91)	0.375 (9.53)	0.738 (18.75)	0.141 (3.58)	
8		1947	√						001	0.594 (15.09)	0.630 (16.00)	0.840 (21.34)	0.135 (3.43)	
						4690			003	0.594 (15.09)	0.568 (14.43)	0.812 (20.62)	0.125 (3.18)	
9		1949	√					1948	004	0.594 (15.09)	0.500 (12.70)	0.875 (22.23)	0.156 (3.96)	
	A	C646			√				NA	0.719 (18.26)	0.750 (19.05)	0.965 (24.51)	0.135 (3.43)	0.222 (5.64)
10		1949	√						005	0.719 (18.26)	0.750 (19.05)	0.965 (24.51)	0.135 (3.43)	
						4691			006	0.719 (18.26)	0.680 (17.27)	0.937 (23.80)	0.125 (3.18)	
	(S/SL)							1950	007	0.719 (18.26)	0.625 (15.88)	1.000 (25.40)	0.156 (3.96)	
11		6961	√		√				008	0.812 (20.62)	0.875 (22.23)	1.060 (26.92)	0.141 (3.58)	
	B	C647			√				NA	0.812 (20.62)	0.875 (22.23)	1.060 (26.92)	0.141 (3.58)	0.206 (5.23)
	A						C637		NA	0.750 (19.05)	0.875 (22.23)	1.046 (26.57)	0.141 (3.58)	0.163 (4.14)
12		6961	√						008	0.812 (20.62)	0.875 (22.23)	1.060 (26.92)	0.141 (3.58)	
	(S/SL)							1951	009	0.813 (20.65)	0.750 (19.05)	1.094 (27.79)	0.156 (3.96)	
13		1953	√		√				010	0.906 (23.01)	1.005 (25.53)	1.153 (29.29)	0.135 (3.43)	
	C	C648			√				NA	0.906 (23.01)	1.000 (25.40)	1.156 (29.36)	0.141 (3.58)	0.206 (5.23)
	B						C638		NA	0.843 (21.41)	1.000 (25.40)	1.156 (29.36)	0.141 (3.58)	0.167 (4.24)
14		1953	√						010	0.906 (23.01)	1.005 (25.53)	1.153 (29.29)	0.135 (3.43)	
						4692			011	0.906 (23.01)	0.938 (23.83)	1.125 (28.58)	0.125 (3.18)	
	(S)							1952	012	0.906 (23.01)	0.875 (22.23)	1.188 (30.18)	0.156 (3.96)	
15		1955	√		√				013	0.969 (24.61)	1.135 (28.83)	1.258 (31.95)	0.156 (3.96)	
	D	C649			√				NA	0.969 (24.61)	1.135 (28.83)	1.258 (31.95)	0.156 (3.96)	0.206 (5.23)
	C						C639		NA	0.968 (24.59)	1.187 (30.15)	1.281 (32.54)	0.141 (3.58)	0.161 (4.09)

√ Available in series designated.

* Shell size 6 not specified in MIL-C-5015

** Shell size 28-48 specified in MIL-C-5015.

*** For dimension E, hole is slotted through to B diameter.

X should be replaced by applicable MIL-DTL-83528 material type (e.g. A, B, C, etc.).

MIL-DTL-83528 dash number should be inserted (without parentheses) at end of MIL P/N.

Mounting Flange Gasket - Product Information

ORDERING PROCEDURE

Standard Sizes: Using Table 1, construct the appropriate part number as illustrated below. For Custom Gaskets: Drawings must be supplied.

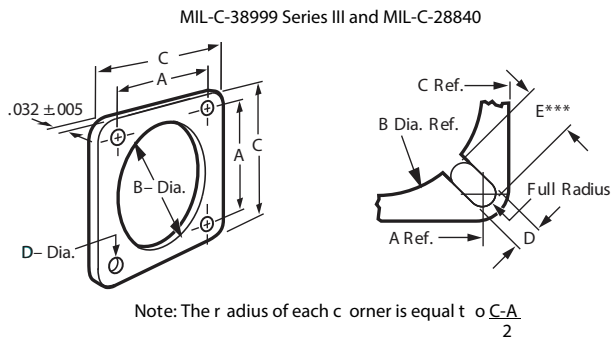
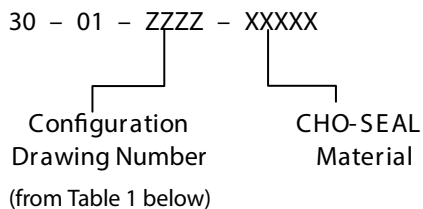


Table 1: Mounting Flange EMI Gaskets continued

Shell Size	Letter	Configuration Drawing No. ZZZZ						Dimensions inches (mm)						
		MIL-C-38999 Series				MIL-C-81511 Series	MIL-C-28840 Series	MIL-C-5015 C-83723 NAS-1599 MIL-C-26482	MIL P/N: M83528/004X ⁽⁻⁾	A	B	C	D	E***
			I	II	III	IV				±0.010 (0.25)	+0.020 (0.51) -0.000	±0.015 (0.38)	±0.010 (0.25)	±0.010 (0.25)
16		1955		√					013	0.969 (24.61)	1.135 (28.83)	1.258 (31.95)	0.156 (3.96)	
							4693		014	0.969 (24.61)	1.063 (27.00)	1.250 (31.75)	0.125 (3.18)	
	(S)							1954	015	0.969 (24.61)	1.000 (25.40)	1.281 (32.54)	0.156 (3.96)	
17		1957	√			√			016	1.062 (26.97)	1.260 (32.00)	1.351 (34.32)	0.156 (3.96)	
	E	C650			√				NA	1.062 (26.97)	1.260 (32.00)	1.351 (34.32)	0.156 (3.96)	0.222 (5.64)
	D							C640	NA	1.015 (25.78)	1.250 (31.75)	1.406 (35.71)	0.141 (3.58)	0.163 (4.14)
18	(S)	1957		√					016	1.062 (26.97)	1.260 (32.00)	1.351 (34.32)	0.156 (3.96)	
							4694		017	1.062 (26.97)	1.189 (30.20)	1.343 (34.11)	0.125 (3.18)	
								1956	018	1.062 (26.97)	1.135 (28.83)	1.375 (34.93)	0.156 (3.96)	
19		6962	√			√			019	1.156 (29.36)	1.375 (34.93)	1.500 (38.10)	0.141 (3.58)	
	F	C651			√				NA	1.156 (29.36)	1.375 (34.93)	1.500 (38.10)	0.141 (3.58)	0.206 (5.23)
	E							C641	NA	1.140 (28.96)	1.437 (36.50)	1.531 (38.89)	0.141 (3.58)	0.158 (4.01)
20		6962							019	1.156 (29.36)	1.375 (34.93)	1.500 (38.10)	0.141 (3.58)	
				√			4695		020	1.156 (29.36)	1.312 (33.32)	1.467 (37.26)	0.125 (3.18)	
								1958	021	1.156 (29.36)	1.250 (31.75)	1.500 (38.10)	0.172 (4.37)	
21		6963	√			√			022	1.250 (31.75)	1.500 (38.10)	1.625 (41.28)	0.141 (3.58)	
	G	C652			√				NA	1.250 (31.75)	1.500 (38.10)	1.625 (41.28)	0.141 (3.58)	0.206 (5.23)
22		6963		√					022	1.250 (31.75)	1.500 (38.10)	1.625 (41.28)	0.141 (3.58)	
							4969		023	1.250 (31.75)	1.437 (36.50)	1.562 (39.67)	0.125 (3.18)	
								1959	024	1.250 (31.75)	1.375 (34.93)	1.625 (41.28)	0.172 (4.37)	
23		6964	√			√			025	1.375 (34.93)	1.625 (41.28)	1.750 (44.45)	0.172 (4.37)	
	H	C653			√				NA	1.375 (34.93)	1.625 (41.28)	1.750 (44.45)	0.172 (4.37)	0.259 (6.58)
	F							C642	NA	1.281 (32.54)	1.625 (41.28)	1.750 (44.45)	0.141 (3.58)	0.164 (4.17)

√ Available in series designated.

* Shell size 6 not specified in MIL-C-5015

** Shell size 28-48 specified in MIL-C-5015.

*** For dimension E, hole is slotted through to B diameter.

⁽⁻⁾X should be replaced by applicable MIL-DTL-83528 material type (e.g. A, B, C, etc.).

MIL-DTL-83528 dash number should be inserted (without parentheses) at end of MIL P/N.

Mounting Flange Gasket - Product Information

ORDERING PROCEDURE

Standard Sizes: Using Table 1, construct the appropriate part number as illustrated below. For Custom Gaskets: Drawings must be supplied.

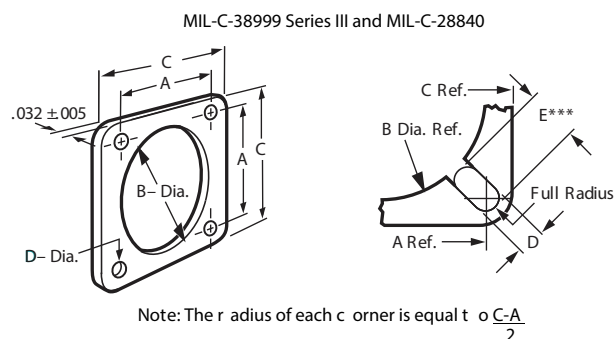
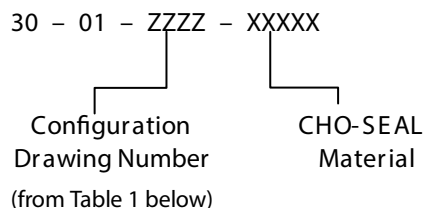


Table 1: Mounting Flange EMI Gaskets continued

Shell Size		Configuration Drawing No. ZZZZ								Dimensions inches (mm)				
No	Letter	MIL-C-38999 Series				MIL-C-81511 Series	MIL-C-28840 Series	MIL-C-5015 C-83723 NAS-1599 MIL-C-26482	MIL P/N: M83528/004X*(-)	A	B	C	D	E***
		I	II	III	IV					±0.010 (0.25)	+0.020 (0.51) -0.000	±0.015 (0.38)	±0.010 (0.25)	±0.010 (0.25)
24		6964		√				025	1.375 (34.93)	1.625 (41.28)	1.750 (44.45)	0.172 (4.37)		
						4697		026	1.375 (34.93)	1.563 (39.710)	1.703 (43.26)	0.152 (3.86)		
							1960	027	1.375 (34.93)	1.500 (38.10)	1.750 (44.45)	0.203 (5.16)		
25		6965	√					028	1.500 (38.10)	1.750 (44.45)	1.875 (47.63)	0.172 (4.37)		
	J	C654			√			NA	1.500 (38.10)	1.750 (44.45)	1.875 (47.63)	0.172 (4.37)	0.259 (6.58)	
	G						C643	NA	1.392 (35.36)	1.750 (44.45)	1.843 (46.81)	0.172 (4.37)	0.195 (4.95)	
							1961	029	1.562 (39.67)	1.750 (44.45)	2.000 (50.80)	0.203 (5.16)		
29	H						C644	NA	1.568 (39.83)	2.000 (50.80)	2.171 (55.14)	0.172 (4.37)	0.195 (4.95)	
32**							1962	030	1.750 (44.45)	2.000 (50.80)	2.250 (57.15)	0.219 (5.56)		
33	J						C645	NA	1.734 (44.04)	2.187 (55.55)	2.356 (59.84)	0.203 (5.16)	0.234 (5.94)	
36**							1963	031	1.938 (49.23)	2.250 (57.15)	2.500 (63.50)	0.219 (5.56)		
40**							1964	032	2.188 (55.58)	2.500 (63.50)	2.750 (69.85)	0.219 (5.56)		
44**							1965	033	2.375 (60.33)	2.781 (70.64)	3.000 (76.20)	0.219 (5.56)		
48**							1966	034	2.625 (66.68)	3.031 (76.99)	3.250 (82.55)	0.219 (5.56)		

√ Available in series designated.

* Shell size 6 not specified in MIL-C-5015

** Shell size 28-48 specified in MIL-C-5015.

*** For dimension E, hole is slotted through to B diameter.

+ "X" should be replaced by applicable MIL-DTL-83528 material type (e.g. A, B, C, etc.).

MIL-DTL-83528 dash number should be inserted (without parentheses) at end of MIL P/N.